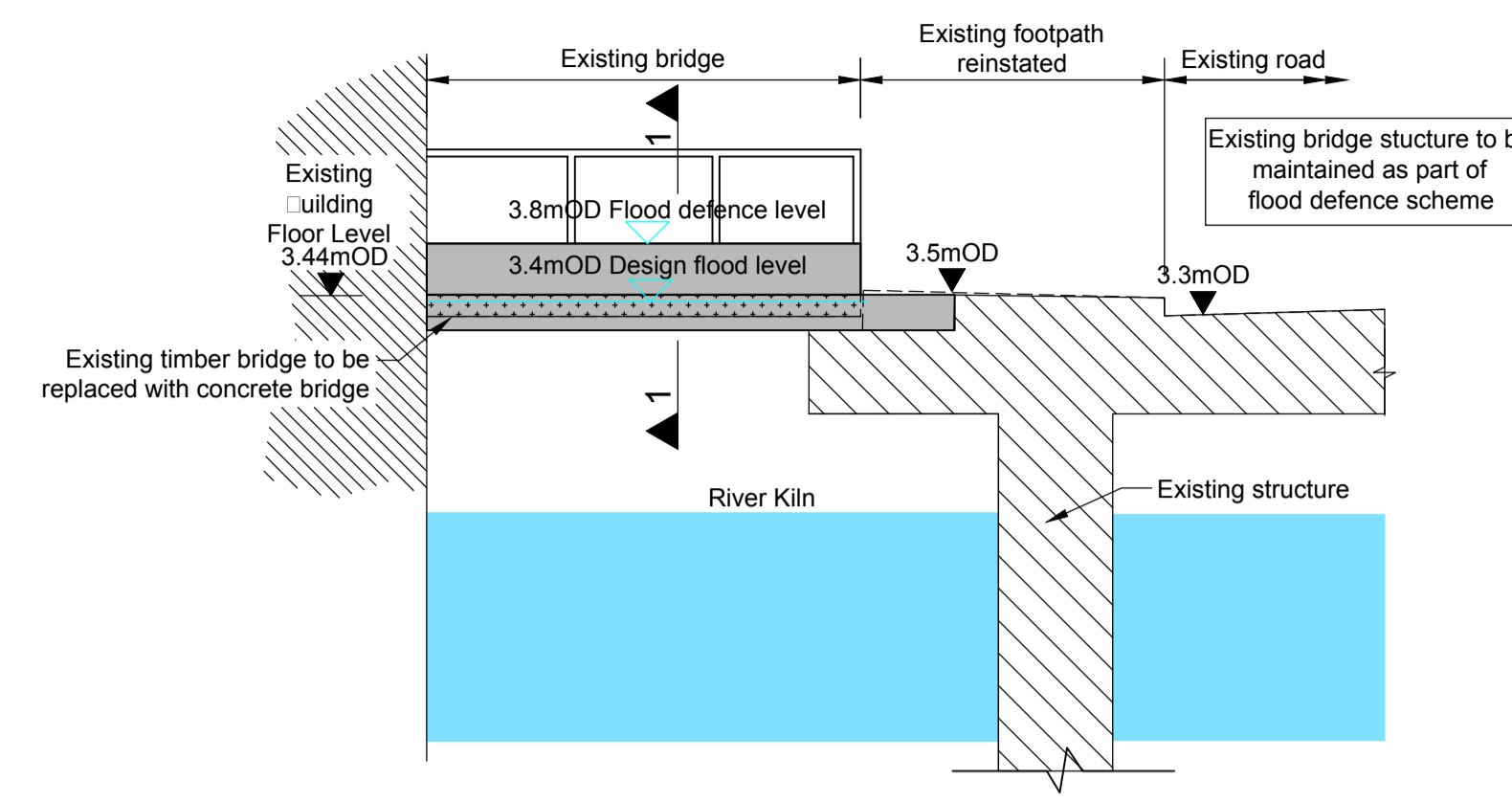
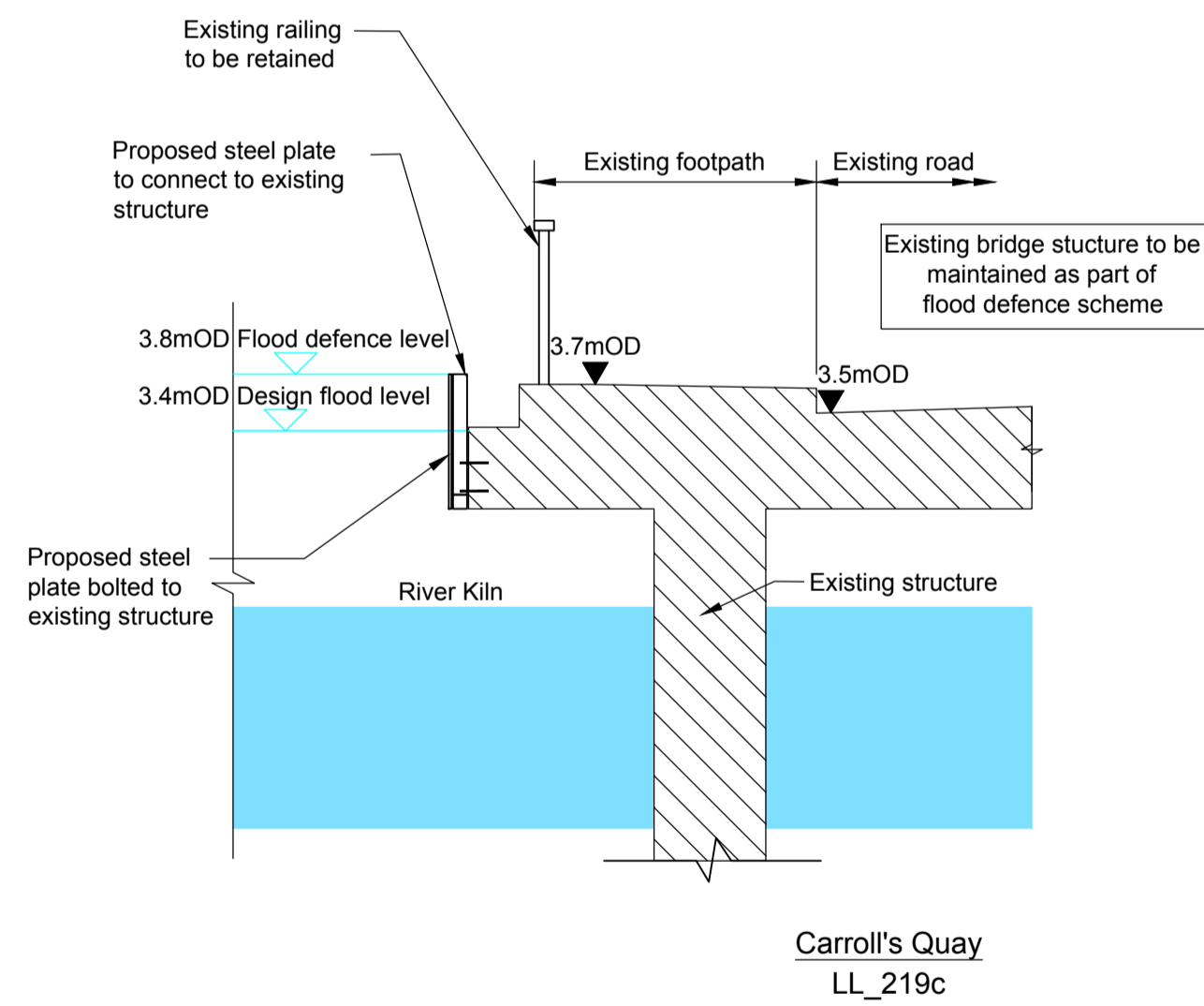


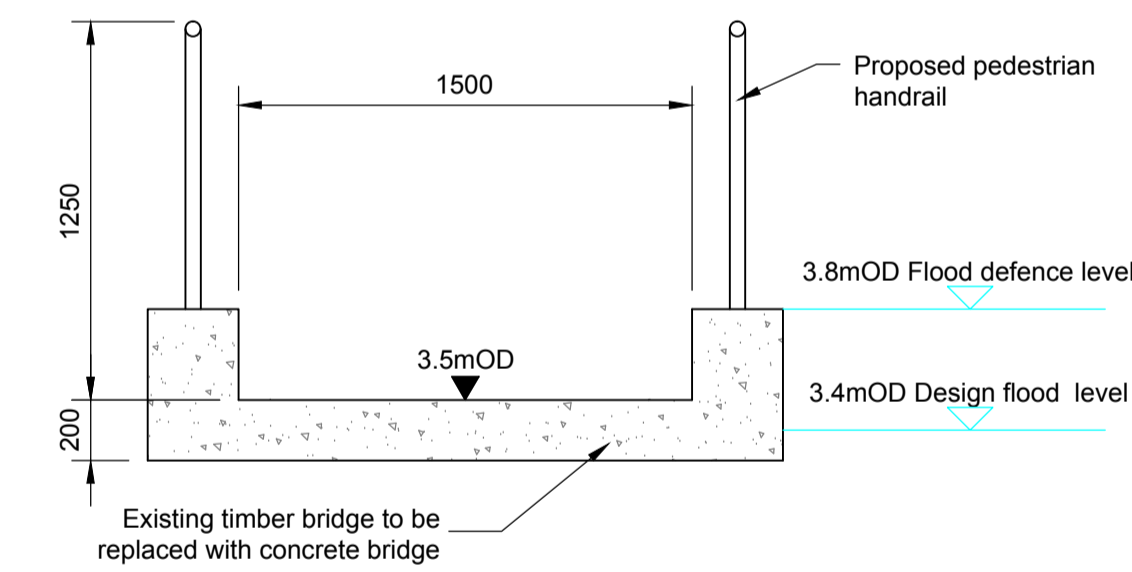
Section KIL1
(Carroll's Quay Drg. No. LL_221)
Scale 1:50 □ A1, 1:100 □ A3



Section KIL2
(Carroll's Quay Drg. No. LL_221)
Scale 1:50 □ A1, 1:100 □ A3



Section KIL3
(Carroll's Quay Drg. No. LL_221)
Scale 1:50 □ A1, 1:100 □ A3



Section 4
Scale 1:25 □ A1, 1:50 □ A3

Notes:

1. Do not scale from drawing.
2. Proposed works geometry and extents are subject to detailed design.
3. This drawing should be read in conjunction with all other Lower Lee (Cork City) Drainage Scheme Exhibition Drawings and Schedules.



One Arup & Partners Ireland Ltd.,
One Albert Quay,
Cork, Ireland.
Tel: +353 (0)21 4277670
Fax: +353 (0)21 4272345



24 Grove Island,
Corbally,
Co. Limerick,
Ireland.
Tel: + 353 (0) 61 345463
Fax: + 353 (0) 61 280146



Cork City Council,
City Hall, Anglesea Street,
Cork, Ireland.
Tel: +353 (0) 21 4966222
Fax: +353 (0) 21 4314238



Cork County Council Headquarters,
County Hall, Carrigrohane Road,
Cork, Ireland.
Tel: + 00 353 (0) 21 4276891
Fax: + 00 353 (0) 21 4276321



51 St. Stephen's Green,
Dublin 2,
Ireland.
Tel: +353 (0) 1 647 6000
Fax: +353 (0) 1 661 0747